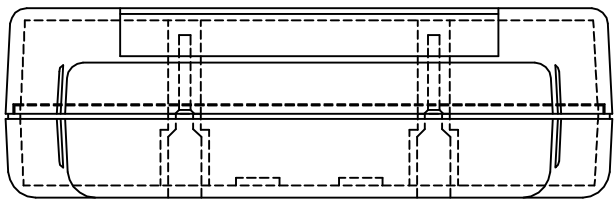
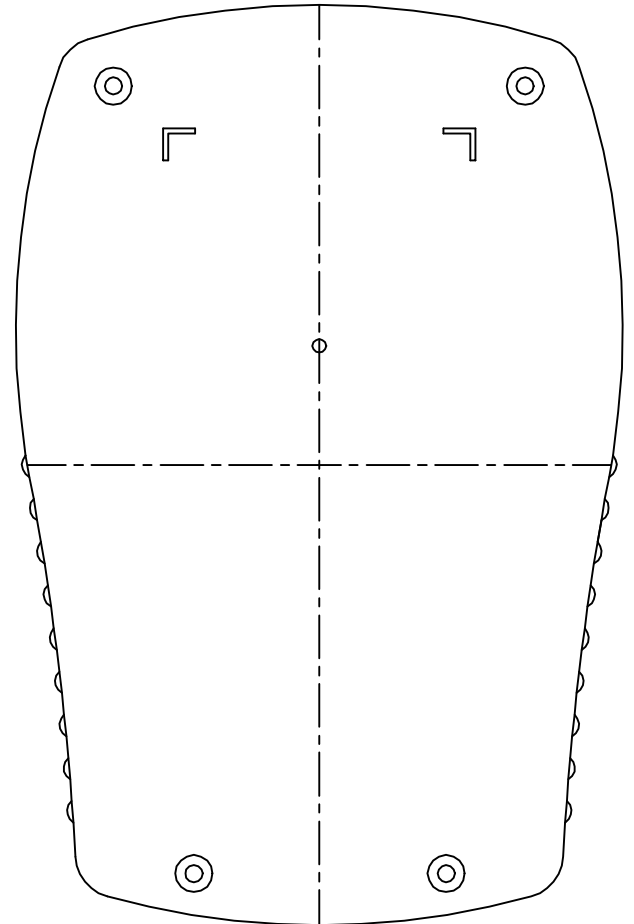
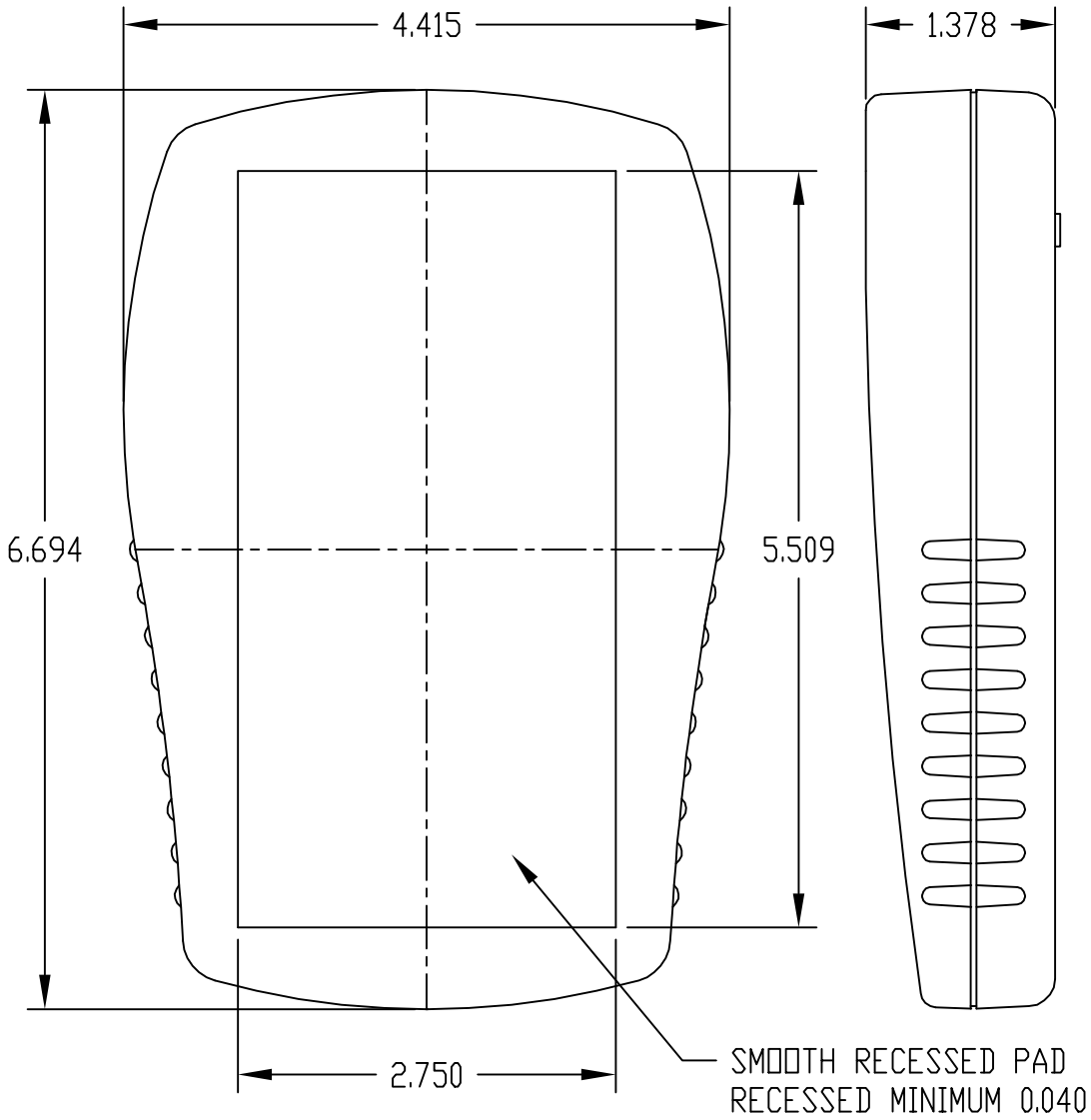


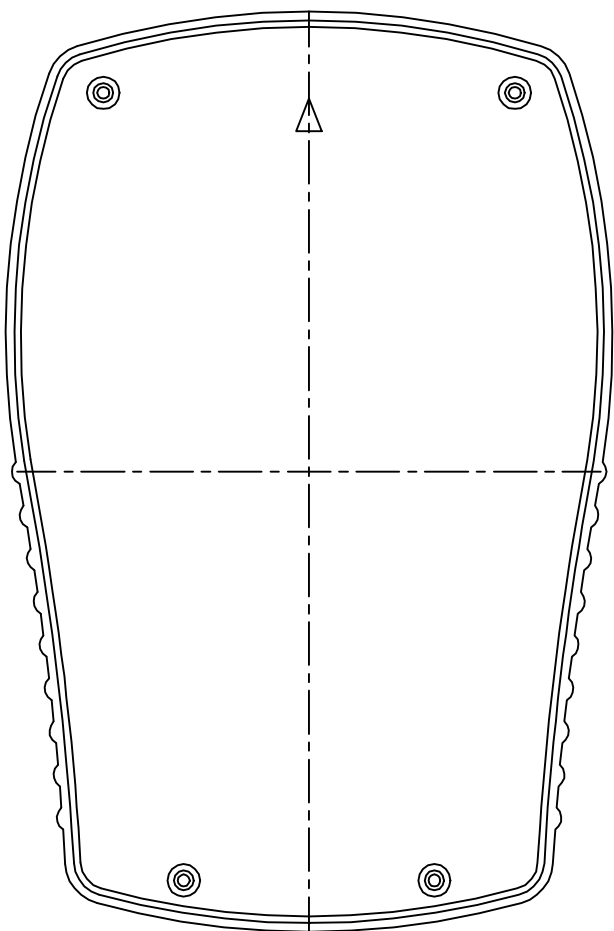
PART NAME	HAND HAND BOX (STYLE N)	PART No.	HH-3610	REV. DATE	8-27-08
-----------	-------------------------	----------	---------	-----------	---------

MATERIAL: HIGH IMPACT ABS WITH UL94V-0  
FLAMMABILITY RATING  
FINISH: TEXTURED BLACK

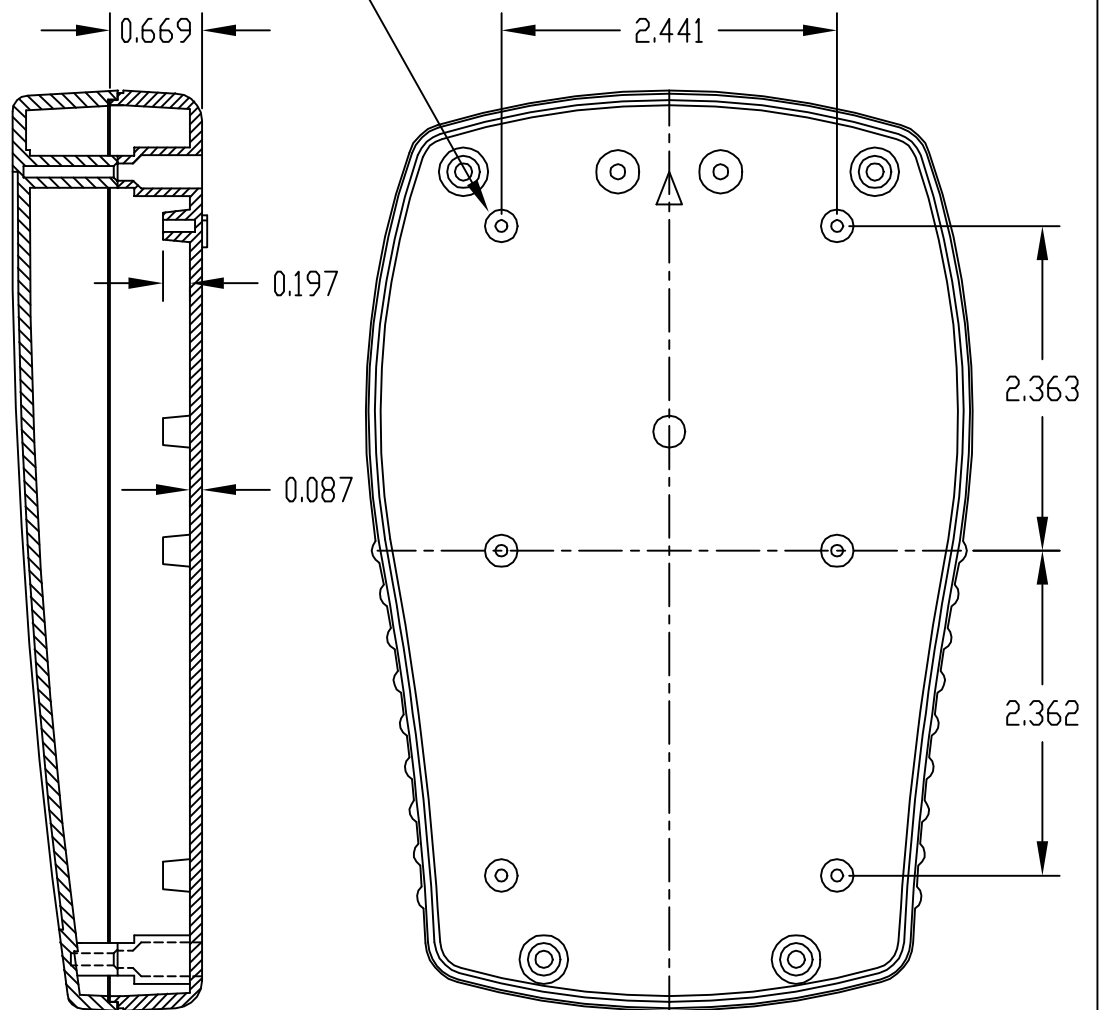
ALL DIMENSIONS HAVE  $\pm 0.015$  TOLERANCE  
FOUR (4) M3 x 1/2" LG. FLAT HD. STAINLESS  
STEEL SCREWS SUPPLIED FOR ASSEMBLY



NOTE: MOUNTING BOSSES USE EITHER M2.5 METRIC  
OR #4 STD. SHEET METAL SCREWS x 3/16" LG.  
(NOT SUPPLIED)



INSIDE VIEW OF TOP



INSIDE VIEW OF BOTTOM